

# Lumber



**Sheet Lumber:** Generally made in 4 foot by 8 foot sheets, thickness varies



# Sheet Lumber

Plywood: sheet lumber created by layers of wood stacked together. Standard thicknesses  $\frac{3}{4}$  inch,  $\frac{1}{2}$  inch.



# Sheet Lumber

Luan: Thin plywood,  $\frac{1}{4}$  inch thick. Used for lighter construction

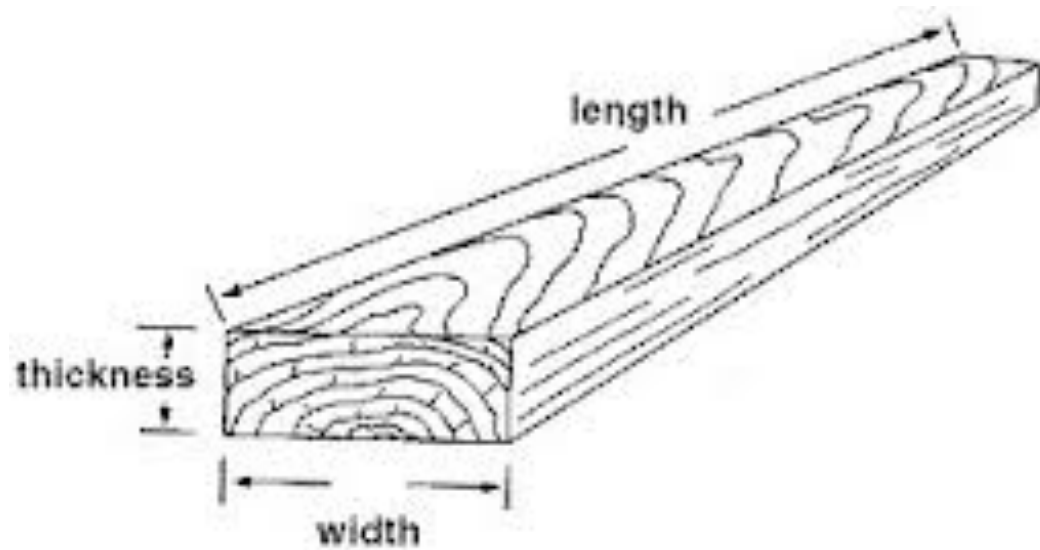
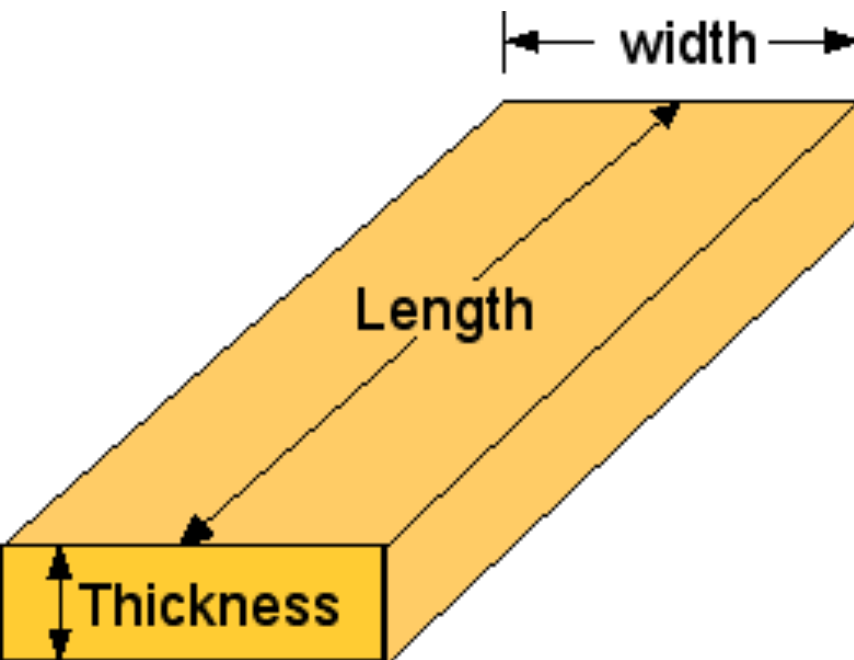


# Sheet Lumber

Masonite: created by wood fibers pressed together with steam. No wood grain, very smooth painting surface.



**Board Lumber**: Named for the size of the  
lumber (thickness x width)



## Board Lumber:

Rough Cut: Unfinished cut of lumber, actual sizes match names (for example, a rough cut 2x4 is actually 2 inches by 4 inches)



## Board Lumber:

Finished: smooth cut of lumber, actual sizes do not match names (for example, a finished 2x4 is actually 1 ½ inches by 3 ½ inches)

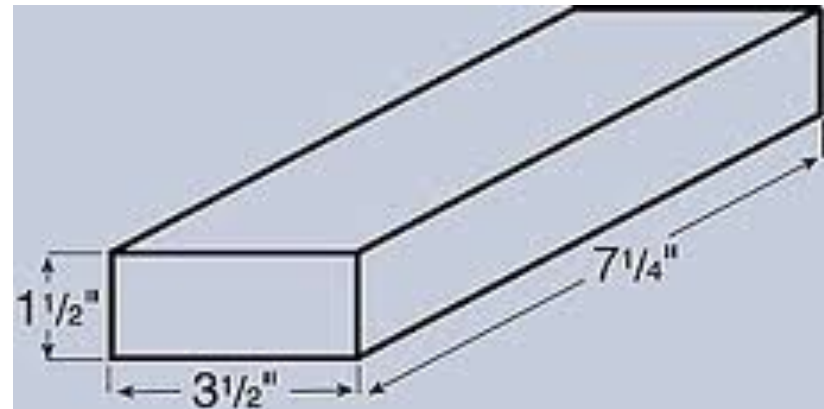


Fig. 1  
Mounting Block

Thickness (inches)		Width (inches)	
Nominal	Actual	Nominal	Actual
1	3/4	2	1-1/2
1-1/4	1	3	2-1/2
1-1/2	1-1/4	4	3-1/2
2	1-1/2	5	4-1/2
2-1/2	2	6	5-1/2
3	2-1/2	7	6-1/2
3-1/2	3	8	7-1/4
4	3-1/2	9	8-1/4
4-1/2	4	10	9-1/4
5+	1/2" less	11-16	3/4" less

## Board Lumber:

Finished: Most Used Sizes at Pinecrest

Name

Actual Size

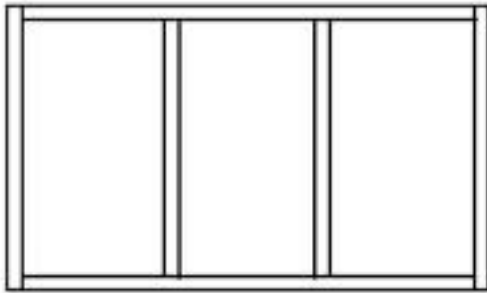
1x4

$\frac{3}{4}$  " x  $3 \frac{1}{2}$  "

2x4

$1 \frac{1}{2}$  " x  $3 \frac{1}{2}$  "

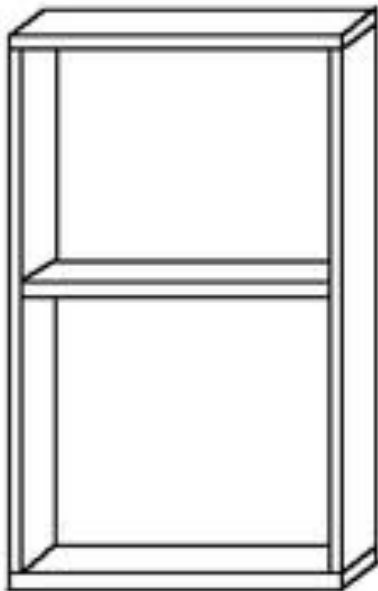
**Platform:** Heavy Duty construction, supports weight of actors, set pieces.



**Flat:** Lightweight construction, used as a wall or a painting surface



**Hollywood Flat:** Scenic Flats built on edge  
(surface of the flat is attached to the edge of the  
support material)

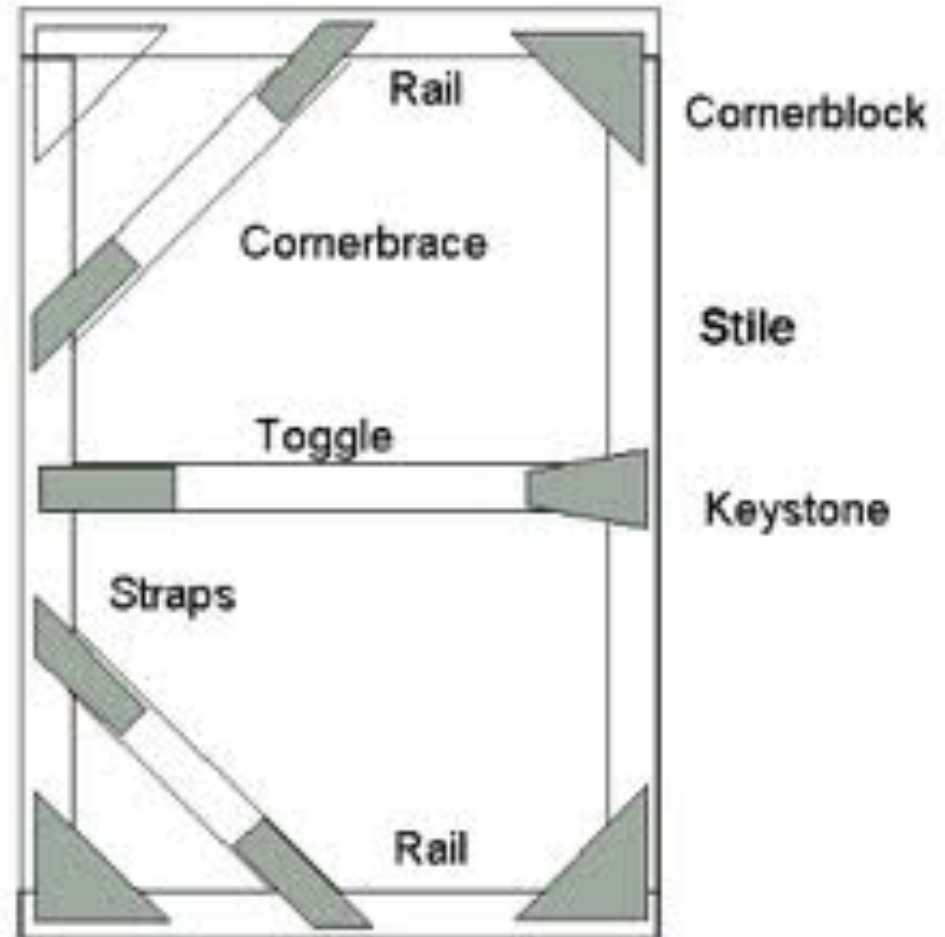


HOLLYWOOD or TV FLAT

1 x 2 -or- 1 x 3 on edge



**Standard Flat:** (kind we use at Pinecrest), scenic flat built on face



# Standard Flat Terms

- **Facing**: Smooth surface of the flat, we use  $\frac{1}{4}$  inch luan for the facing.
- **Rail**: Top and bottom support pieces, we use 1x4 lumber for the rails
- **Stile**: Side support pieces, 1x4
- **Toggle**: Center support pieces, run between the stile, 1x4
- **Cornerblocks**: pieces of  $\frac{1}{4}$ " luan cut into triangles, connect rails to stiles
- **Keystones**: pieces of  $\frac{1}{4}$ " luan cut into rectangles (sometimes trapezoids)

# Standard Flat Cut List (4'x8')

- **Facing**: ¼" Luan
- 1 sheet at 4'x8'
- **Rails**: 1x4 board lumber
- 2 pieces at 4'
- **Stiles**: 1x4
- 2 pieces at 7'5"
- **Toggles**: 1x4
- 1 piece at 3'5"
- **Cornerblocks**
- 4 pieces
- **Keystones**
- 2 pieces